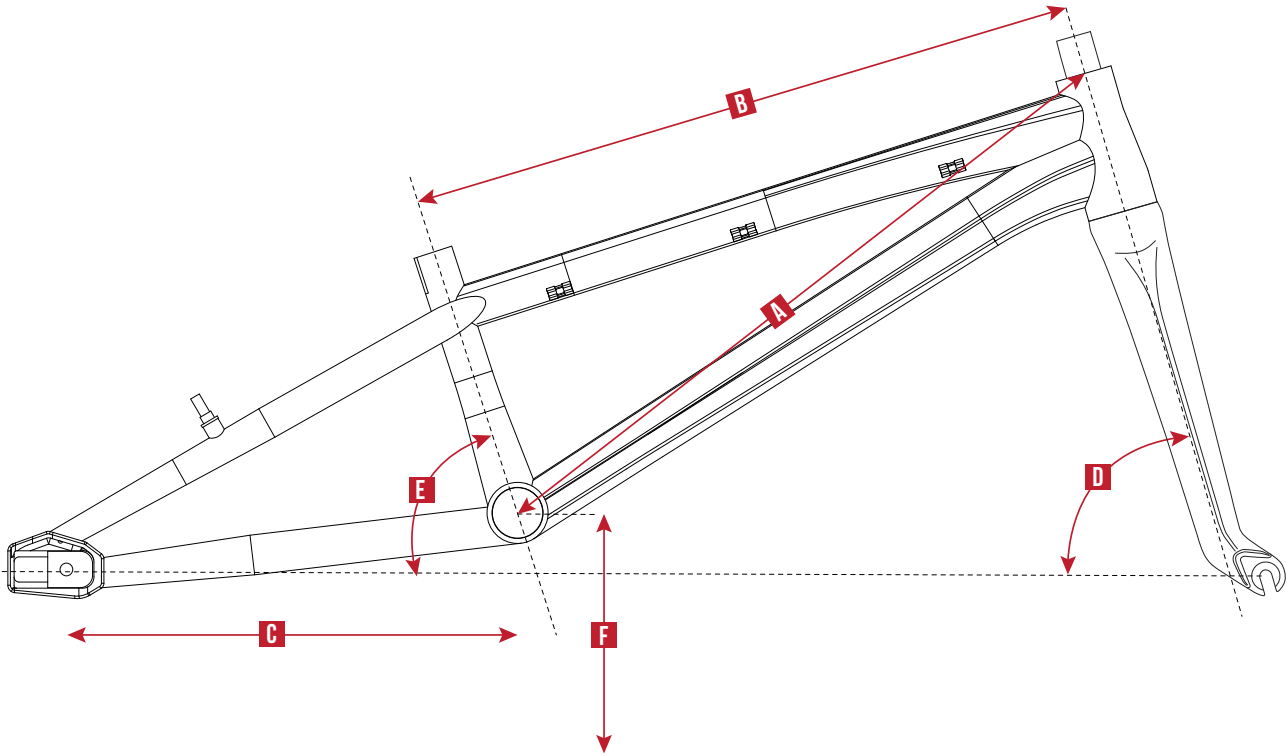




# CONCORDE V2 GEOMETRY



FRAME SIZE	RIDER AREA	TOP TUBE		CHAINSTAYS (MIN)		CHAINSTAYS (MAX)		HEAD	SEAT ANGLE	BB HEIGHT
	A	B		C				D	E	F
	mm	Inches	mm	Inches	mm	Inches	mm			Inches
EXPERT	545,6	19,50	495,3	13,29	337,5	14,27	362,5	73°	71°	11"
EXPERT XL	558,9	20,15	511,8	13,29	337,5	14,27	362,5	73°	71°	11"
PRO	562,6	20,65	525	14,17	360	15,16	385	74°	72°	11.5"
PRO XL	575	21,25	540	14,37	365	15,35	390	74°	72°	11.5"
PRO XXL	585	21,75	552	14,69	373	15,67	398	74°	72°	11.5"
PRO XXXL	595,9	22,25	565	14,69	373	15,67	398	74°	72°	11.5"
CRUISER	617,4	21,85	555	14,96	380	15,94	405	73.5°	70°	11.9"

FRAME SIZE	SEAT TUBE DIAMETER	SEAT CLAMP DIAMETER	BOTTOM BRACKET STYLE	HEADTUBE	SHIS
EXPERT	22.2mm	28.6mm	Euro BSA - 1.375" BC 24T - 68MM	Integrated 1"-1/8 - 110mm	IS42   IS42
EXPERT XL					
PRO	27.2mm	31.8mm	PRESS FIT BB86	Integrated Tapered - 115mm	IS42   IS52
PRO XL					
PRO XXL					
PRO XXXL					
CRUISER					

FRAME SIZE	SPROCKET (MAX)	TIRE SIZE MAX	CHAI NTENSIONERS	DISC BRAKE READY	REAR AXLE COMPATIBLE
EXPERT	44T	20 x 1-3/8	Integrated	YES - For 140mm rotor only	10mm / 15mm / 20mm
EXPERT XL					
PRO	50T	20 x 1,85	Integrated	YES - For 140mm rotor only	10mm / 15mm / 20mm
PRO XL					
PRO XXL					
PRO XXXL					
CRUISER	42T	24 x 1,75			